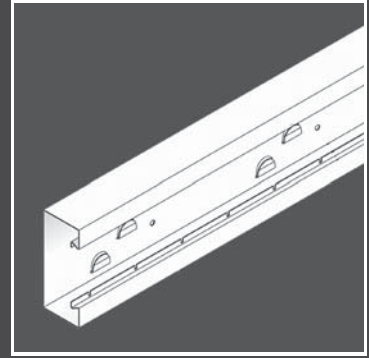
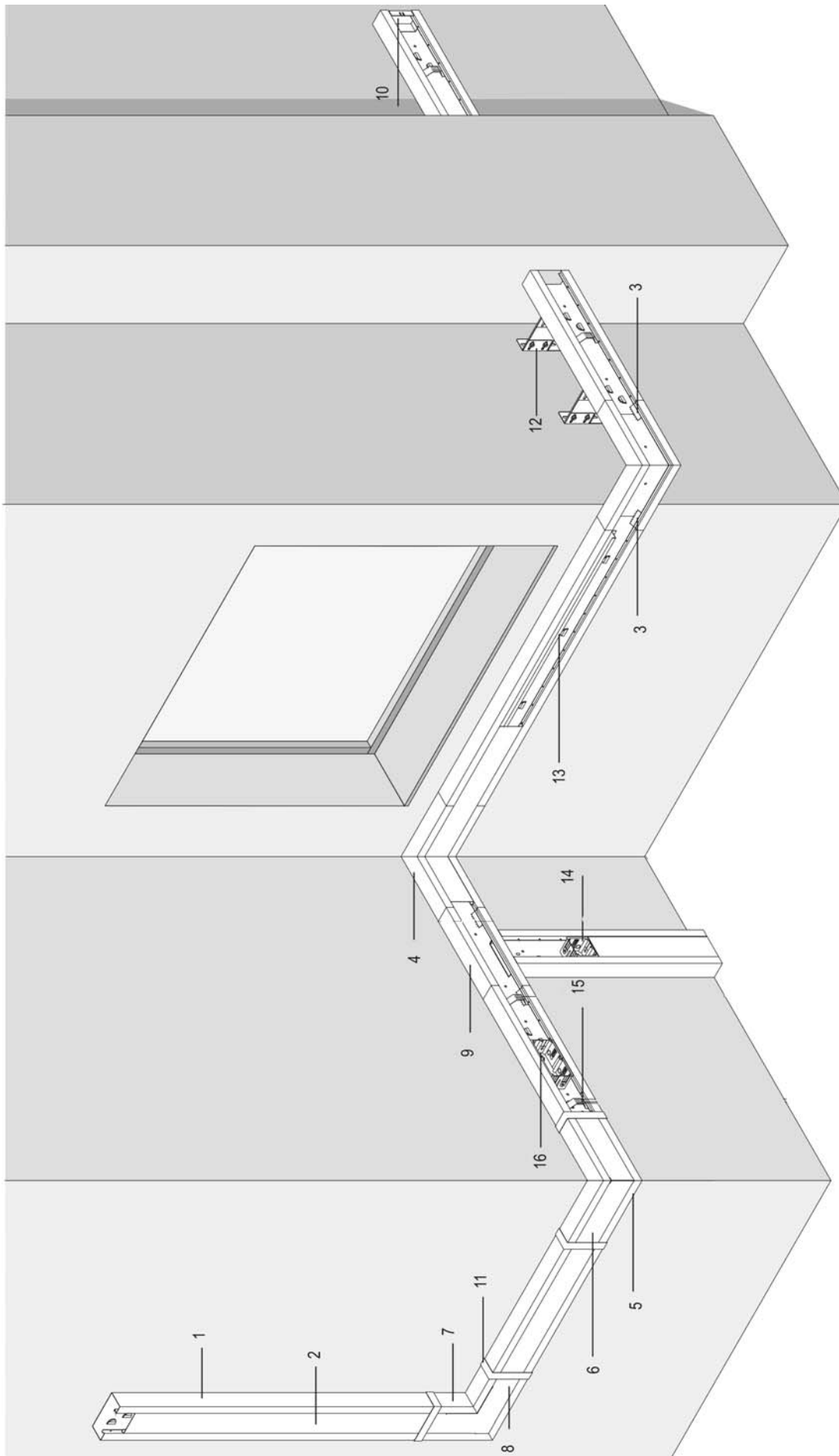


9. WALL TRUNKING



WALL TRUNKING

	Survey of the system	9-5
WGC		
WGC 110	Wall trunking Cleopatra	9-6
WGC 130	Wall trunking Cleopatra	9-7
WGC 180	Wall trunking Cleopatra	9-8
WGC 205	Wall trunking Cleopatra	9-9
WGC COVER		
DWGC	Cover wall trunking Cleopatra	9-10
WGC ACCESSORIES		
BIBC	Inside bend Cleopatra	9-11
BUBC	Outside bend Cleopatra	9-12
DBUBC	Cover outside bend Cleopatra	9-12
VHC	Vertical coupling H=110 d=55	9-13
DVHC	Cover vertical coupling Cleopatra	9-13
IVC	Adapter H=110 d=55	9-14
EC	End piece Cleopatra	9-15
NABC	Joint cover clamp Cleopatra	9-16
SLOC	Division plate free Cleopatra	9-16
AC 130	Distance bracket Cleopatra	9-17
AC 205	Distance bracket Cleopatra	9-17
ZMC	Saw former Cleopatra	9-18
KHC	Cable locker	9-18
TBC	Apparatus cup Cleopatra	9-19
TBDC	Double apparatus cup Cleopatra	9-19
WGC JOINTING PLATES		
KSC 55	Jointing piece Cleopatra	9-20
KSC 70	Jointing piece Cleopatra	9-20



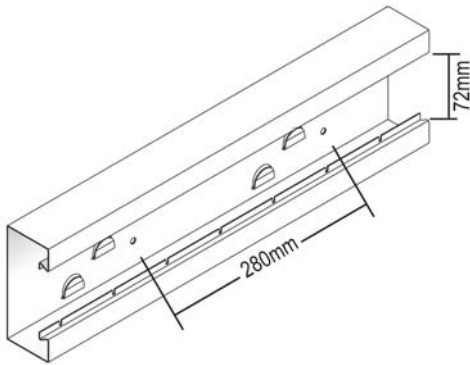
9

Survey of the system

	Description	Reference	Pag.
1	Wall trunking Cleopatra	WGC 110	9-6
2	Cover wall trunking Cleopatra	DWGC	9-10
3	Jointing piece Cleopatra	KSC 70	9-20
4	Inside bend Cleopatra	BIBC	9-11
5	Outside bend Cleopatra	BUBC	9-12
6	Cover outside bend Cleopatra	DBUBC	9-12
7	Vertical coupling H=110 d=55	VHC	9-13
8	Cover vertical coupling Cleopatra	DVHC	9-13
9	Adapter H=110 d=55	IVC	9-14
10	End piece Cleopatra	EC	9-15
11	Joint cover clamp Cleopatra	NABC	9-16
12	Distance bracket Cleopatra	AC 130	9-17
13	Division plate free Cleopatra	SLOC	9-16
14	Apparatus cup Cleopatra	TBC	9-19
15	Cable locker	KHC	9-18
16	Double apparatus cup Cleopatra	TBDC	9-19

WGC 110

Wall trunking Cleopatra



Mounting perforation
Gradual fixation of partition

Colour	Standard color : RAL 9001 Other RAL colors : PE + art.
On Demand	All RAL colors
Standard execution	Epoxy coating texture
Execution option 1	Polyester powder coating

*	*	Reference	Height	Width	Thickness	Length	kg/m	Packaging	Stock	Unit
PE	-	WGC 110*55	110	55	-	2000	2,10	8	-	m
PE	-	WGC 110*70	110	70	-	2000	2,20	8	-	m

You can recognize the standard production version by the bold printed product codes. The product code for an optional production version can easily be formed by adding the value of the column marked with an asterisk (*) in front of the product code of the standard execution.

To fix with:										
-	-	KSC 70	-	70	-	-	0,02	32	✓	piece
-	-	KSC 55	-	55	-	-	0,01	32	✓	piece

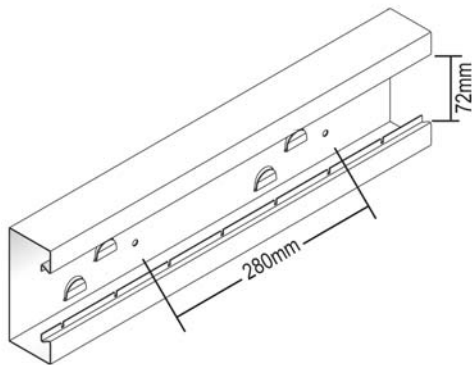
Thanks to the perforation a simple fixation of the partition and fixation on the wall or wall brackets is possible. The perforation distance is 280 mm. Thickness = 1 mm.

The cover supporting wall is provided with diagonal openings every 35 mm which guarantee the locking of the apparatus cups.

Earthing and jointing the wall trays can be done by the jointing piece 'KSC'.

WGC 130

Wall trunking Cleopatra



Mounting perforation
Gradual fixation of partition

Colour	Standard color : RAL 9001 Other RAL colors : PE + art.
On Demand	All RAL colors
Standard execution	Epoxy coating texture
Execution option 1	Polyester powder coating

*	*	Reference	Height	Width	Thickness	Length	kg/m	Packaging	Stock	Unit			
PE	-	WGC 130*55	130	55	-	2000	2,30	8	✓	m			
PE	-	WGC 130*70	130	70	-	2000	2,75	8	-	m			

You can recognize the standard production version by the bold printed product codes. The product code for an optional production version can easily be formed by adding the value of the column marked with an asterisk (*) in front of the product code of the standard execution.

To fix with:

*	*	Reference	Height	Width	Thickness	Length	kg/m	Packaging	Stock	Unit			
-	-	KSC 70	-	70	-	-	0,02	32	✓	piece			
-	-	KSC 55	-	55	-	-	0,01	32	✓	piece			

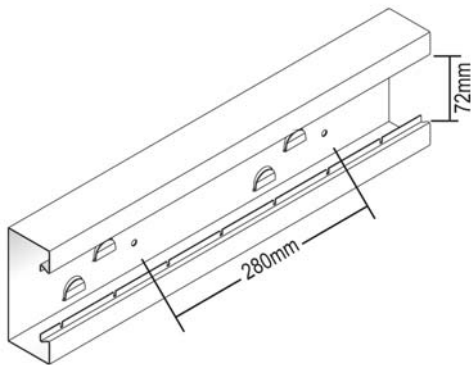
Thanks to the perforation a simple fixation of the partition and fixation on the wall or wall brackets is possible. The perforation distance is 280 mm. Thickness = 1 mm.

The cover supporting wall is provided with diagonal openings every 35 mm which guarantee the locking of the apparatus cups.

Earthing and jointing the wall trays can be done by the jointing piece 'KSC'.

WGC 180

Wall trunking Cleopatra



Mounting perforation
Gradual fixation of partition

Colour	Standard color : RAL 9001 Other RAL colors : PE + art.
On Demand	All RAL colors
Standard execution	Epoxy coating texture
Execution option 1	Polyester powder coating

*	*	Reference	Height	Width	Thickness	Length	kg/m	Packaging	Stock	Unit
PE	-	WGC 180*55	180	55	-	2000	3,00	8	✓	m
PE	-	WGC 180*70	180	70	-	2000	3,50	8	✓	m

You can recognize the standard production version by the bold printed product codes. The product code for an optional production version can easily be formed by adding the value of the column marked with an asterisk (*) in front of the product code of the standard execution.

To fix with:

-	-	KSC 70	-	70	-	-	0,02	32	✓	piece
-	-	KSC 55	-	55	-	-	0,01	32	✓	piece

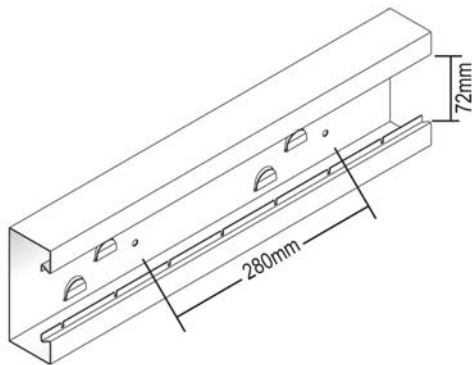
Thanks to the perforation a simple fixation of the partition and fixation on the wall or wall brackets is possible. The perforation distance is 280 mm. Thickness = 1 mm.

The cover supporting wall is provided with diagonal openings every 35 mm which guarantee the locking of the apparatus cups.

Earthing and jointing the wall trays can be done by the jointing piece 'KSC'.

WGC 205

Wall trunking Cleopatra



Mounting perforation
Gradual fixation of partition

Colour	Standard color : RAL 9001 Other RAL colors : order PE + art.
On Demand	All RAL colors
Standard execution	Epoxy coating texture
Execution option 1	Polyester powder coating

*	*	Reference	Height	Width	Thickness	Length	kg/m	Packaging	Stock	Unit			
PE	-	WGC 205*55	205	55	-	2000	3,60	8	-	m			
PE	-	WGC 205*70	205	70	-	2000	3,70	8	-	m			

You can recognize the standard production version by the bold printed product codes. The product code for an optional production version can easily be formed by adding the value of the column marked with an asterisk (*) in front of the product code of the standard execution.

To fix with:

*	*	Reference	Height	Width	Thickness	Length	kg/m	Packaging	Stock	Unit			
-	-	KSC 70	-	70	-	-	0,02	32	✓	piece			
-	-	KSC 55	-	55	-	-	0,01	32	✓	piece			

Thanks to the perforation a simple fixation of the partition and fixation on the wall or wall brackets is possible. The perforation distance is 280 mm. Thickness = 1 mm.

The cover supporting wall is provided with diagonal openings every 35 mm which guarantee the locking of the apparatus cups.

Earthing and jointing the wall trays can be done by the jointing piece 'KSC'.

DWGC

Cover wall trunking Cleopatra



Colour	Standard color : RAL 9001 Other RAL colors : PE + art.
Standard execution	Epoxy coating texture
Execution option 1	Polyester powder coating

*	*	Reference	Height	Width	Thickness	Length	kg/m	Packaging	Stock	Unit			
PE	-	DWGC	-	-	-	2000	0,85	16	-	m			

You can recognize the standard production version by the bold printed product codes. The product code for an optional production version can easily be formed by adding the value of the column marked with an asterisk () in front of the product code of the standard execution.*

Characteristics

With Cleopatra wall tray, you save up to 25% mounting time by fitting the apparatus cup in relation to the traditional systems.

Technical information

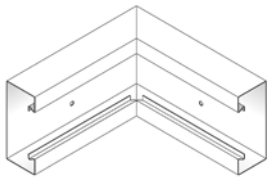
The wall tray covers can be used uniform for all types of wall trays and accessories.

Earthing between wall tray and cover is achieved by the cable holder 'KHC'.

Accessories

BIBC

Inside bend Cleopatra



Colour	Standard color : RAL 9001 Other RAL colors : PE + art.
Standard execution	Epoxy coating texture
Execution option 1	Polyester powder coating

*	*	Reference	Height	Width	Thickness	Length	kg/piece	Packaging	Stock	Unit			
PE	-	BIBC 110*55	110	55	-	-	0,96	4	-	piece			
PE	-	BIBC 110*70	110	70	-	-	1,05	4	-	piece			
PE	-	BIBC 130*55	130	55	-	-	1,09	4	✓	piece			
PE	-	BIBC 130*70	130	70	-	-	1,17	4	-	piece			
PE	-	BIBC 180*55	180	55	-	-	1,46	4	✓	piece			
PE	-	BIBC 180*70	180	70	-	-	1,52	4	✓	piece			
PE	-	BIBC 205*55	205	55	-	-	1,62	4	-	piece			
PE	-	BIBC 205*70	205	70	-	-	1,67	4	-	piece			

You can recognize the standard production version by the bold printed product codes. The product code for an optional production version can easily be formed by adding the value of the column marked with an asterisk (*) in front of the product code of the standard execution.

To fix with:

-	-	KSC 70	-	70	-	-	0,02	32	✓	piece			
-	-	KSC 55	-	55	-	-	0,01	32	✓	piece			

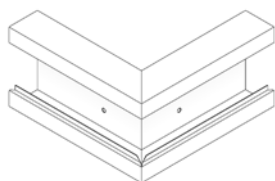
Provided with a perforation, so the assembly is very simple.

For cover, you can use the wall tray cover 'DWGC'.

Shifting is avoided by a stop.

BUBC

Outside bend Cleopatra



Colour	Standard color : RAL 9001 Other RAL colors : PE + art.
Standard execution	Epoxy coating texture
Execution option 1	Polyester powder coating

*	*	Reference	Height	Width	Thickness	Length	kg/piece	Packaging	Stock	Unit			
PE	-	BUBC 110*55	110	55	-	-	0,95	4	-	piece			
PE	-	BUBC 110*70	110	70	-	-	1,00	4	-	piece			
PE	-	BUBC 130*55	130	55	-	-	1,06	4	✓	piece			
PE	-	BUBC 130*70	130	70	-	-	1,14	4	-	piece			
PE	-	BUBC 180*55	180	55	-	-	1,43	4	✓	piece			
PE	-	BUBC 180*70	180	70	-	-	1,47	4	✓	piece			
PE	-	BUBC 205*55	205	55	-	-	1,58	4	-	piece			
PE	-	BUBC 205*70	205	70	-	-	1,65	4	-	piece			

You can recognize the standard production version by the bold printed product codes. The product code for an optional production version can easily be formed by adding the value of the column marked with an asterisk (*) in front of the product code of the standard execution.

To fix with:

*	*	Reference	Height	Width	Thickness	Length	kg/piece	Packaging	Stock	Unit			
-	-	KSC 70	-	70	-	-	0,02	32	✓	piece			
-	-	KSC 55	-	55	-	-	0,01	32	✓	piece			

Provided with a perforation, so the assembly is very simple.
Cover 'DBUBC' to use.

DBUBC

Cover outside bend Cleopatra



Colour	Standard color : RAL 9001 Other RAL colors : PE + art.
Standard execution	Epoxy coating texture
Execution option 1	Polyester powder coating

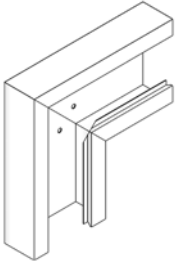
*	*	Reference	Height	Width	Thickness	Length	kg/piece	Packaging	Stock	Unit			
PE	-	DBUBC	-	-	-	-	0,40	8	✓	piece			

You can recognize the standard production version by the bold printed product codes. The product code for an optional production version can easily be formed by adding the value of the column marked with an asterisk (*) in front of the product code of the standard execution.

To cover the outside bend 'BUBC'.

Accessories

VHC

Vertical coupling H=110 d=55


Colour	Standard color : RAL 9001 Other RAL colors : PE + art.
Standard execution	Epoxy coating texture
Execution option 1	Polyester powder coating

*	*	Reference	Height	Width	Thickness	Length	kg/piece	Packaging	Stock	Unit
PE	-	VHC 110*55	110	55	-	-	0,83	4	-	piece
PE	-	VHC 110*70	110	70	-	-	0,93	4	-	piece
PE	-	VHC 130*55	130	55	-	-	0,88	4	✓	piece
PE	-	VHC 130*70	130	70	-	-	0,97	4	-	piece
PE	-	VHC 180*55	180	55	-	-	1,03	4	✓	piece
PE	-	VHC 180*70	180	70	-	-	1,10	4	✓	piece
PE	-	VHC 205*55	205	55	-	-	1,05	4	-	piece
PE	-	VHC 205*70	205	70	-	-	1,14	4	-	piece

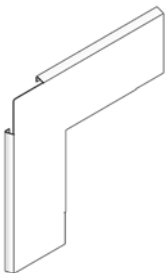
You can recognize the standard production version by the bold printed product codes. The product code for an optional production version can easily be formed by adding the value of the column marked with an asterisk (*) in front of the product code of the standard execution.

To fix with:

-	-	KSC 70	-	70	-	-	0,02	32	✓	piece
-	-	KSC 55	-	55	-	-	0,01	32	✓	piece

Provided with a perforation, so the assembly is very simple.
Cover 'DVHC' to use.

DVHC

Cover vertical coupling Cleopatra


Colour	Standard color : RAL 9001 Other RAL colors : PE + art.
Standard execution	Epoxy coating texture
Execution option 1	Polyester powder coating

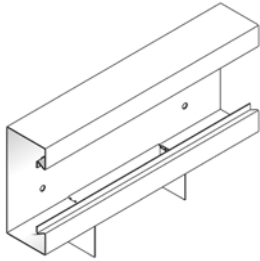
*	*	Reference	Height	Width	Thickness	Length	kg/piece	Packaging	Stock	Unit
PE	-	DVHC 110	-	-	-	-	0,28	4	-	piece
PE	-	DVHC 130	-	-	-	-	0,26	4	✓	piece
PE	-	DVHC 180	-	-	-	-	0,23	4	✓	piece
PE	-	DVHC 205	-	-	-	-	0,21	4	-	piece

You can recognize the standard production version by the bold printed product codes. The product code for an optional production version can easily be formed by adding the value of the column marked with an asterisk (*) in front of the product code of the standard execution.

To cover the vertical coupling piece 'VHC'.

IVC

Adapter H=110 d=55



Colour	Standard color : RAL 9001 Other RAL colors : PE + art.
Standard execution	Epoxy coating texture
Execution option 1	Polyester powder coating

*	*	Reference	Height	Width	Thickness	Length	kg/piece	Packaging	Stock	Unit
PE	-	IVC 110*55	110	55	-	-	0,64	4	-	piece
PE	-	IVC 110*70	110	70	-	-	0,71	4	-	piece
PE	-	IVC 130*55	130	55	-	-	0,71	4	✓	piece
PE	-	IVC 130*70	130	70	-	-	0,80	4	-	piece
PE	-	IVC 180*55	180	55	-	-	0,95	4	✓	piece
PE	-	IVC 180*70	180	70	-	-	1,01	4	✓	piece
PE	-	IVC 205*55	205	55	-	-	1,05	4	-	piece
PE	-	IVC 205*70	205	70	-	-	1,10	4	-	piece

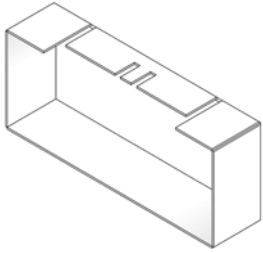
You can recognize the standard production version by the bold printed product codes. The product code for an optional production version can easily be formed by adding the value of the column marked with an asterisk (*) in front of the product code of the standard execution.

To fix with:										
-	-	KSC 70	-	70	-	-	0,02	32	✓	piece
-	-	KSC 55	-	55	-	-	0,01	32	✓	piece

Provided with a perforation, so the assembly is very simple.
Cover 'DWGC' to use.
'IVC' has an uniform length of 300 mm, the opening is identical to the height.

EC

End piece Cleopatra



Colour	Standard color : RAL 9001 Other RAL colors : PE + art.
Standard execution	Epoxy coating texture
Execution option 1	Polyester powder coating

*	*	Reference	Height	Width	Thickness	Length	kg/piece	Packaging	Stock	Unit			
PE	-	EC 110*55	110	55	-	-	0,10	4	-	piece			
PE	-	EC 110*70	110	70	-	-	0,13	4	-	piece			
PE	-	EC 130*55	130	55	-	-	0,12	4	✓	piece			
PE	-	EC 130*70	130	70	-	-	0,14	4	-	piece			
PE	-	EC 180*55	180	55	-	-	0,16	4	✓	piece			
PE	-	EC 180*70	180	70	-	-	0,19	4	✓	piece			
PE	-	EC 205*55	205	55	-	-	0,18	4	-	piece			
PE	-	EC 205*70	205	70	-	-	0,22	4	-	piece			

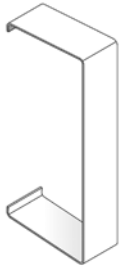
You can recognize the standard production version by the bold printed product codes. The product code for an optional production version can easily be formed by adding the value of the column marked with an asterisk (*) in front of the product code of the standard execution.

To slide into the end of the cable tray.

The end piece is provided with an earthing connection. Can be fixed with jointing clips 'KSC'.

NABC

Joint cover clamp Cleopatra



Colour	Standard color : RAL 9001 Other RAL colors : PE + art.
Standard execution	Epoxy coating texture
Execution option 1	Polyester powder coating

*	*	Reference	Height	Width	Thickness	Length	kg/piece	Packaging	Stock	Unit
PE	-	NABC 110*55	110	55	-	-	0,05	16	-	piece
PE	-	NABC 110*70	110	70	-	-	0,05	16	-	piece
PE	-	NABC 130*55	130	55	-	-	0,05	16	✓	piece
PE	-	NABC 130*70	130	70	-	-	0,05	16	-	piece
PE	-	NABC 180*55	180	55	-	-	0,06	16	✓	piece
PE	-	NABC 180*70	180	70	-	-	0,07	16	✓	piece
PE	-	NABC 205*55	205	55	-	-	0,06	16	-	piece
PE	-	NABC 205*70	205	70	-	-	0,07	16	-	piece

You can recognize the standard production version by the bold printed product codes. The product code for an optional production version can easily be formed by adding the value of the column marked with an asterisk (*) in front of the product code of the standard execution.

To cover the seams between two wall trays or differences on the end of the cable tray. Max. tolerance = 25 mm.

SLOC

Division plate free Cleopatra



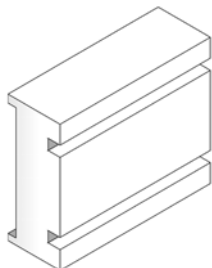
								Standard execution	Pre-galvanised
--	--	--	--	--	--	--	--	--------------------	----------------

*	*	Reference	Height	Width	Thickness	Length	kg/m	Packaging	Stock	Unit
-	-	SLOC 55	-	55	-	2000	0,47	32	✓	m
-	-	SLOC 70	-	70	-	2000	0,57	32	✓	m

Simply clip into the cable tray.
Standard length : 2000 mm.
Return flanges for cable protection.

ZMC

Saw former Cleopatra



		Standard execution							Wood				
*	*	Reference	Height	Width	Thickness	Length	kg/piece	Packaging	Stock	Unit			
-	-	ZMC 110*55	110	55	-	-	0,66	1	-	piece			
-	-	ZMC 110*70	110	70	-	-	0,96	1	-	piece			
-	-	ZMC 130*55	130	55	-	-	0,91	1	✓	piece			
-	-	ZMC 130*70	130	70	-	-	0,85	1	-	piece			
-	-	ZMC 180*55	180	55	-	-	1,52	1	✓	piece			
-	-	ZMC 180*70	180	70	-	-	1,41	1	✓	piece			
-	-	ZMC 205*55	205	55	-	-	1,70	1	-	piece			
-	-	ZMC 205*70	205	70	-	-	1,59	1	-	piece			

For cutting the wall trunking.

KHC

Cable locker



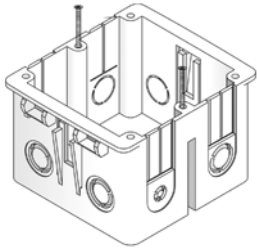
		Standard execution							Pre-galvanised				
*	*	Reference	Height	Width	Thickness	Length	kg/piece	Packaging	Stock	Unit			
-	-	KHC	-	-	-	-	0,01	100	✓	piece			

Keeps the cables inside the wall trunking.
 Assures the earthing between wall trunking and cover.
 Strengthen the cable tray ribs by fixation of the cover.
 To fix the TBC : you have to use on each side of the TBC a KHC.

Accessories

TBC

Apparatus cup Cleopatra



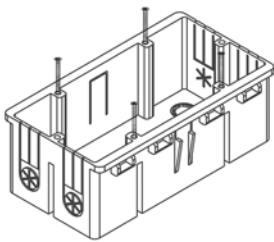
Colour	RAL 1023
Standard execution	Polyvinyl chloride

*	*	Reference	Height	Width	Thickness	Length	kg/piece	Packaging	Stock	Unit			
-	-	TBC	-	-	-	-	0,04	6	✓	piece			

No tools required for fixation of the 'TBC', as the apparatus cup snaps into the wall trunking.
Delivered with 2 screws 3x12.

TBDC

Double apparatus cup Cleopatra



Colour	RAL 1023
Standard execution	Polyvinyl chloride

*	*	Reference	Height	Width	Thickness	Length	kg/piece	Packaging	Stock	Unit			
-	-	TBDC	-	-	-	-	0,07	6	✓	piece			

There is no need for tools to install the double apparatus cup.
Mounting time is highly reduced. Developed according DIN 49 073.
Delivered with 4 screws 3 x 12.

